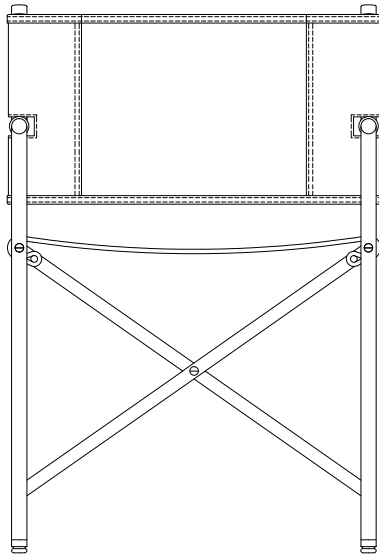


# J109



Back in the saddle again, saddle leather that is. Our oh so versatile leather director's chair looks right at home whether that home is your ranch, your penthouse or any home on the range. Hand-tipped saddle leather wrapped seat, back and arms surround a black metal frame accentuated with antique brass trim reminiscent of the brass tacks on a bridle. Durability and style all in one gorgeous chair, why not?!

width: 21 3/4"  
depth: 20 3/4"  
height: 32"  
seat height: 17 1/2"  
seat depth: 16"  
arm height: 25 1/4"

description:  
leather - (brown)  
metal - (black matte)  
brass\* - (antique color)

\*note lacquer coating naturally wears over time leaving a beautiful brass patina

[www.livejuniper.com](http://www.livejuniper.com)

Juniper

# J109



[www.livejuniper.com](http://www.livejuniper.com)

Juniper

Photographs, drawings and designs pictured herein copyright© 1996-2020 Eric Brand Furniture / Juniper. All rights reserved.

# J109



[www.livejuniper.com](http://www.livejuniper.com)

Juniper

# J109



[www.livejuniper.com](http://www.livejuniper.com)

Juniper

Photographs, drawings and designs pictured herein copyright© 1996-2020 Eric Brand Furniture / Juniper. All rights reserved.

# J109



[www.livejuniper.com](http://www.livejuniper.com)

*Juniper*